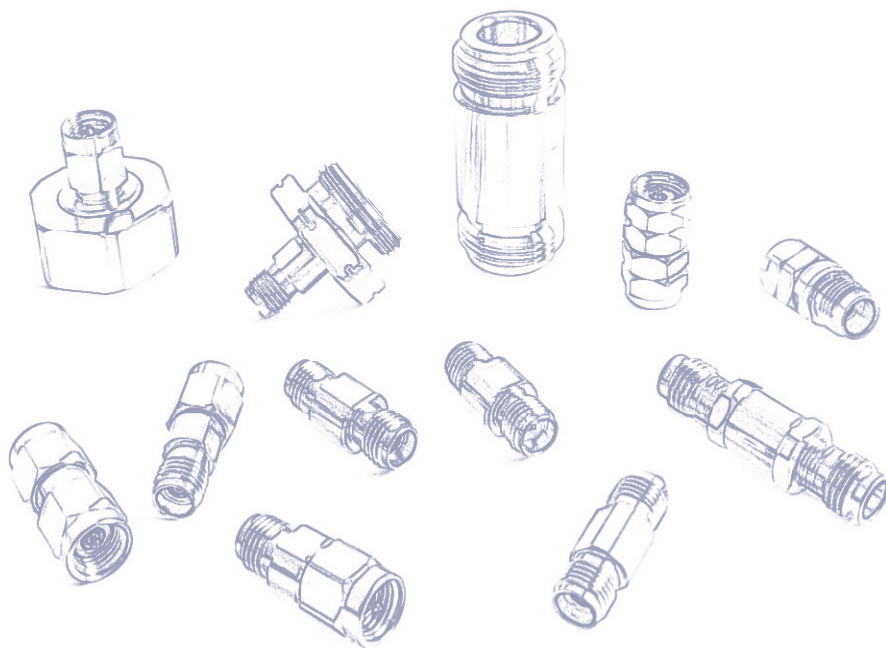




DC~110GHz

Precision RF Microwave Coaxial Adapters



DC~110GHz
High Reliable Precision RF Microwave Coaxial Adapters



- **Excellent VSWR**
- **Durability > 1000 Cycles**

High Performance

Competitive Price

Fast Delivery

Model	Frequency Range	Connector1	Connector2	VSWR (Max.)
SMA Series				
SMA-BMA-FFF	DC-18GHz	SMA Female	BMA Female 2-Hole Flange	1.25:1
SMA-BMA-FMS	DC-18GHz	SMA Female	BMA Male	1.30:1
SMA-BMA-FM	DC-18GHz	SMA Female	BMA Male	1.30:1
SMA-FF	DC-18GHz	SMA Female	SMA Female	1.15:1
SMA-MF	DC-18GHz	SMA Male	SMA Female	1.15:1
SMA-MM	DC-18GHz	SMA Male	SMA Male	1.15:1
SMA-FFF	DC-18GHz	SMA Female	SMA Female 4-Hole Flange	1.15:1
SMA-FFW	DC-18GHz	SMA Female	SMA Female Right Angle	1.25:1
SMA-MFW	DC-18GHz	SMA Male	SMA Female Right Angle	1.25:1
SMA-MMW	DC-18GHz	SMA Male	SMA Male Right Angle	1.25:1
SMA-FFY	DC-18GHz	SMA Female	SMA Female Bulkhead	1.15:1
SMA-MFY	DC-18GHz	SMA Male	SMA Female Bulkhead	1.15:1
SMA-TNC-FF	DC-18GHz	SMA Female	TNC Female	1.20:1
SMA-TNC-FM	DC-18GHz	SMA Female	TNC Male	1.20:1
SMA-TNC-MF	DC-18GHz	SMA Male	TNC Female	1.20:1
SMA-TNC-MM	DC-18GHz	SMA Male	TNC Male	1.20:1
SMA-FFH	DC-27GHz	SMA Female	SMA Female	1.15:1
SMA-MFH	DC-27GHz	SMA Male	SMA Female	1.15:1
SMA-MMH	DC-27GHz	SMA Male	SMA Male	1.15:1
SMA-FFFH	DC-27GHz	SMA Female	SMA Female 4-Hole Flange	1.15:1
SMA-MFQH	DC-27GHz	SMA Male Quick-Fit	SMA Female	1.15:1

Model	Frequency Range	Connector1	Connector2	VSWR (Max.)
N Series				
N-SMA-FFYC	DC-6GHz	N Female	SMA Female Bulkhead	1.25:1
N-FF	DC-18GHz	N Female	N Female	1.15:1
N-MF	DC-18GHz	N Male	N Female	1.15:1
N-MM	DC-18GHz	N Male	N Male	1.15:1
N-FFW	DC-18GHz	N Female	N Female Right Angle	1.15:1
N-MFW	DC-18GHz	N Male	N Female Right Angle	1.15:1
N-MMW	DC-18GHz	N Male	N Male Right Angle	1.15:1
N-FFY	DC-18GHz	N Female	N Female Bulkhead	1.15:1
N-SMA-FF	DC-18GHz	N Female	SMA Female	1.15:1
N-SMA-FM	DC-18GHz	N Female	SMA Male	1.15:1
N-SMA-MF	DC-18GHz	N Male	SMA Female	1.15:1
N-SMA-MM	DC-18GHz	N Male	SMA Male	1.15:1
N-SMA-FFF	DC-18GHz	N Female	SMA Female 4-Hole Flange	1.15:1
N-SMA-FFY	DC-18GHz	N Female	SMA Female Bulkhead	1.15:1
N-TNC-FF	DC-18GHz	N Female	TNC Female	1.20:1
N-TNC-FM	DC-18GHz	N Female	TNC Male	1.20:1
N-TNC-MF	DC-18GHz	N Male	TNC Female	1.20:1
N-TNC-MM	DC-18GHz	N Male	TNC Male	1.20:1
TNC Series				
TNC-FF	DC-18GHz	TNC Female	TNC Female	1.20:1
TNC-MF	DC-18GHz	TNC Male	TNC Female	1.20:1
TNC-MM	DC-18GHz	TNC Male	TNC Male	1.20:1
3.5mm Series				
35-FF	DC-33GHz	3.5mm Female	3.5mm Female	1.15:1
35-MF	DC-33GHz	3.5mm Male	3.5mm Female	1.15:1
35-MM	DC-33GHz	3.5mm Male	3.5mm Male	1.15:1
35-FFF	DC-33GHz	3.5mm Female	3.5mm Female 4-Hole Flange	1.15:1
35-FFW	DC-33GHz	3.5mm Female	3.5mm Female Right Angle	1.30:1
35-MFW	DC-33GHz	3.5mm Male	3.5mm Female Right Angle	1.30:1
35-MMW	DC-33GHz	3.5mm Male	3.5mm Male Right Angle	1.30:1
35-FFY	DC-33GHz	3.5mm Female	3.5mm Female Bulkhead	1.15:1
35-FFE	DC-34GHz	3.5mm Female	3.5mm Female	1.25:1
35-MFE	DC-34GHz	3.5mm Male	3.5mm Female	1.25:1
35-MME	DC-34GHz	3.5mm Male	3.5mm Male	1.25:1
2.92mm Series				
292-SMA-FF	DC-27GHz	2.92mm Female	SMA Female	1.15:1
292-SMA-FM	DC-27GHz	2.92mm Female	SMA Male	1.15:1
292-SMA-MF	DC-27GHz	2.92mm Male	SMA Female	1.15:1
292-SMA-MM	DC-27GHz	2.92mm Male	SMA Male	1.15:1

Model	Frequency Range	Connector1	Connector2	VSWR (Max.)
2.92mm Series				
292-35-FF	DC-33GHz	2.92mm Female	3.5mm Female	1.15:1
292-35-FM	DC-33GHz	2.92mm Female	3.5mm Male	1.15:1
292-35-MF	DC-33GHz	2.92mm Male	3.5mm Female	1.15:1
292-35-MM	DC-33GHz	2.92mm Male	3.5mm Male	1.15:1
292-FF	DC-40GHz	2.92mm Female	2.92mm Female	1.15:1
292-MF	DC-40GHz	2.92mm Male	2.92mm Female	1.15:1
292-MM	DC-40GHz	2.92mm Male	2.92mm Male	1.15:1
292-FFE	DC-40GHz	2.92mm Female	2.92mm Female	1.25:1
292-MFE	DC-40GHz	2.92mm Male	2.92mm Female	1.25:1
292-MME	DC-40GHz	2.92mm Male	2.92mm Male	1.25:1
292-FFFS	DC-40GHz	2.92mm Female	2.92mm Female 4-Hole Flange	1.20:1
292-FFF	DC-40GHz	2.92mm Female	2.92mm Female 4-Hole Flange	1.20:1
292-FFW	DC-40GHz	2.92mm Female	2.92mm Female Right Angle	1.25:1
292-MFW	DC-40GHz	2.92mm Male	2.92mm Female Right Angle	1.25:1
292-MMW	DC-40GHz	2.92mm Male	2.92mm Male Right Angle	1.25:1
292-FFY	DC-40GHz	2.92mm Female	2.92mm Female Bulkhead	1.20:1
NMD Series				
NMD24-292-MF	DC-40GHz	NMD2.4mm Male	2.92mm Female	1.15:1
NMD24-292-MM	DC-40GHz	NMD2.4mm Male	2.92mm Male	1.15:1
NMD24-NMD292-FM	DC-40GHz	NMD2.4mm Female	NMD2.92mm Male	1.15:1
NMD24-NMD292-MF	DC-40GHz	NMD2.4mm Male	NMD2.92mm Female	1.15:1
NMD24-NMD292-MM	DC-40GHz	NMD2.4mm Male	NMD2.92mm Male	1.15:1
NMD292-292-FM	DC-40GHz	NMD2.92mm Female	2.92mm Male	1.15:1
NMD292-MF	DC-40GHz	NMD2.92mm Male	NMD2.92mm Female	1.15:1
2.4mm Series				
24-SMA-FF	DC-27GHz	2.4mm Female	SMA Female	1.15:1
24-SMA-FM	DC-27GHz	2.4mm Female	SMA Male	1.15:1
24-SMA-MF	DC-27GHz	2.4mm Male	SMA Female	1.15:1
24-SMA-MM	DC-27GHz	2.4mm Male	SMA Male	1.15:1
24-35-FF	DC-33GHz	2.4mm Female	3.5mm Female	1.15:1
24-35-FM	DC-33GHz	2.4mm Female	3.5mm Male	1.15:1
24-35-MF	DC-33GHz	2.4mm Male	3.5mm Female	1.15:1
24-35-MM	DC-33GHz	2.4mm Male	3.5mm Male	1.15:1
24-292-FF	DC-40GHz	2.4mm Female	2.92mm Female	1.15:1
24-292-FM	DC-40GHz	2.4mm Female	2.92mm Male	1.15:1
24-292-MF	DC-40GHz	2.4mm Male	2.92mm Female	1.15:1
24-292-MM	DC-40GHz	2.4mm Male	2.92mm Male	1.15:1
24-292-FFF	DC-40GHz	2.4mm Female	2.92mm Female 4-Hole Flange	1.20:1
24-292-FFW	DC-40GHz	2.4mm Female	2.92mm Female Right Angle	1.25:1

Model	Frequency Range	Connector1	Connector2	VSWR (Max.)
2.4mm Series				
24-292-FMW	DC-40GHz	2.4mm Female	2.92mm Male Right Angle	1.25:1
24-292-MFW	DC-40GHz	2.4mm Male	2.92mm Female Right Angle	1.25:1
24-292-MMW	DC-40GHz	2.4mm Male	2.92mm Male Right Angle	1.25:1
24-292-FFY	DC-40GHz	2.4mm Female	2.92mm Female Bulkhead	1.20:1
24-SMP-MMFD	DC-40GHz	2.4mm Male	SMP Male Full Detent	1.20:1
24-FF	DC-50GHz	2.4mm Female	2.4mm Female	1.15:1
24-MF	DC-50GHz	2.4mm Male	2.4mm Female	1.15:1
24-MM	DC-50GHz	2.4mm Male	2.4mm Male	1.15:1
24-FFF	DC-50GHz	2.4mm Female	2.4mm Female 4-Hole Flange	1.20:1
24-FFW	DC-50GHz	2.4mm Female	2.4mm Female Right Angle	1.25:1
24-MFW	DC-50GHz	2.4mm Male	2.4mm Female Right Angle	1.25:1
24-MMW	DC-50GHz	2.4mm Male	2.4mm Male Right Angle	1.25:1
24-FFY	DC-50GHz	2.4mm Female	2.4mm Female Bulkhead	1.20:1
1.85mm Series				
185-292-FF	DC-40GHz	1.85mm Female	2.92mm Female	1.15:1
185-292-FM	DC-40GHz	1.85mm Female	2.92mm Male	1.15:1
185-292-MF	DC-40GHz	1.85mm Male	2.92mm Female	1.15:1
185-292-MM	DC-40GHz	1.85mm Male	2.92mm Male	1.15:1
185-24-FF	DC-50GHz	1.85mm Female	2.4mm Female	1.20:1
185-24-FM	DC-50GHz	1.85mm Female	2.4mm Male	1.20:1
185-24-MF	DC-50GHz	1.85mm Male	2.4mm Female	1.20:1
185-24-MM	DC-50GHz	1.85mm Male	2.4mm Male	1.20:1
185-FF	DC-67GHz	1.85mm Female	1.85mm Female	1.25:1
185-MF	DC-67GHz	1.85mm Male	1.85mm Female	1.25:1
185-MM	DC-67GHz	1.85mm Male	1.85mm Male	1.25:1
185-FFF	DC-67GHz	1.85mm Female	1.85mm Female 4-Hole Flange	1.25:1
185-FFW	DC-67GHz	1.85mm Female	1.85mm Female Right Angle	1.25:1
185-MFW	DC-67GHz	1.85mm Male	1.85mm Female Right Angle	1.25:1
185-MMW	DC-67GHz	1.85mm Male	1.85mm Male Right Angle	1.25:1
185-FFY	DC-67GHz	1.85mm Female	1.85mm Female Bulkhead	1.25:1
185-MFY	DC-67GHz	1.85mm Male	1.85mm Female Bulkhead	1.25:1
10-185-FF	DC-67GHz	1.0mm Female	1.85mm Female	1.30:1
10-185-FM	DC-67GHz	1.0mm Female	1.85mm Male	1.30:1
10-185-MF	DC-67GHz	1.0mm Male	1.85mm Female	1.30:1
10-185-MM	DC-67GHz	1.0mm Male	1.85mm Male	1.30:1
1.0mm Series				
10-FF	DC-110GHz	1.0mm Female	1.0mm Female	1.25:1
10-MF	DC-110GHz	1.0mm Male	1.0mm Female	1.25:1
10-MM	DC-110GHz	1.0mm Male	1.0mm Male	1.25:1

Micable Inc.

 www.micable.cn

 +86-591-87382856

 sales@micable.cn